



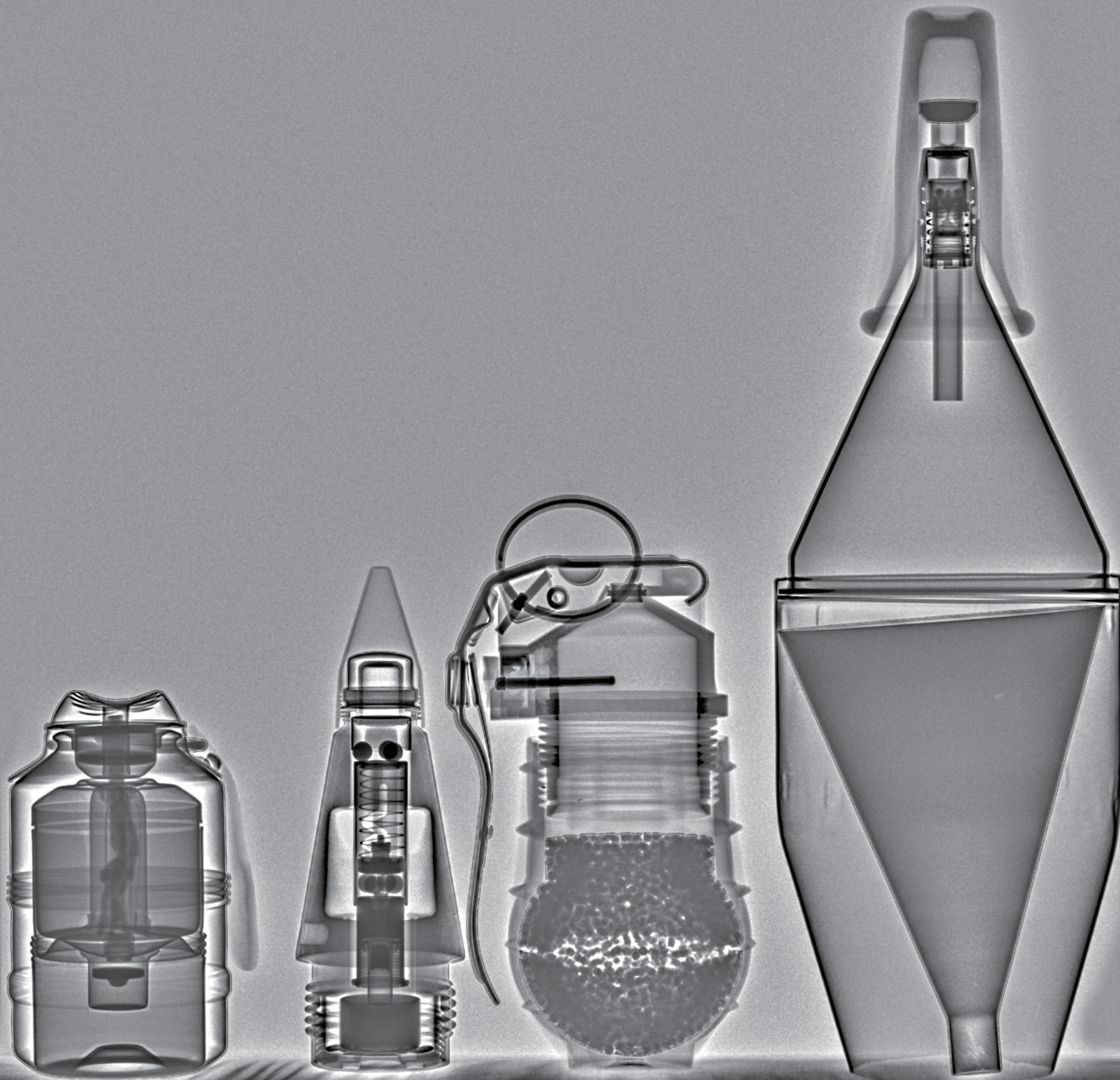
The Leaders in Portable X-Ray Systems

Products Overview

EOD & Special Forces



NOVO
Digital Radiography



About NOVO DR



NOVO DR Ltd. offers the highest image quality in the portable digital radiography industry.

The ruggedness and reliability of our systems combined with amazing X-Ray Images make them the best in the market. Our intuitive and easy to use products have been designed and engineered by our incredibly professional and highly experienced team!

Why NOVO?



Highest Image Quality

Decades of expertise, detectors built specifically for security applications and advanced software all attribute to the highest image quality.



Reliable

Our systems are designed for outdoor operations! This is why we use the best raw materials; proprietary NOVO cables; MIL-DTL 38999 connectors & rugged Detectors.



Easy to Use

Having the lightest Detectors, Intuitive NOVO Touch Software and easy handling of our system components, the NOVO equipment is effortless to setup & operate.

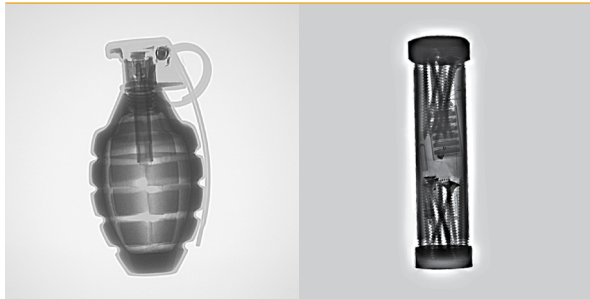


Professional Support

Fast response, the expertise of the team and direct support from our in-house developers, makes your journey with NOVO sure and simple.

Common Applications

EOD / IED

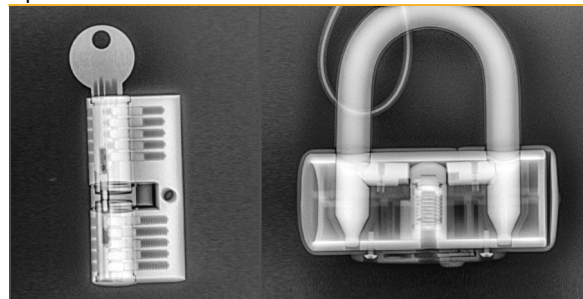


In EOD/IED split seconds decisions are imperative. Immediate high quality digital images are crucial for analysis of the insides of a suspected object or a bomb.

What is inspected?

EOD's, IED's, Explosives etc.

Special Forces

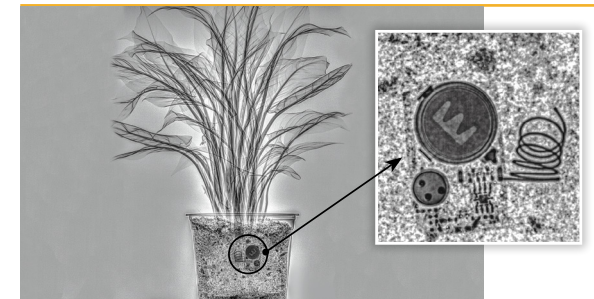


Special Forces require an easy to carry, simple to deploy, portable product. Keeping the systems as light as possible yet rugged and covert is crucial for mission safety and fast operation.

What is inspected?

IED's, EODs, Locks, Cylinder & many more...

Counter Surveillance



Counter Surveillance teams that guard public figures, or embassies, need to examine day to day items, innocent looking gifts or mobile phones in order to detect the slightest alteration in their electronic components. These items may be used as listening devices or might contain explosives.

What is inspected?

Electronic Devices, Furniture, Walls (concrete, drywall)
Entire Hotel Rooms

Border Control

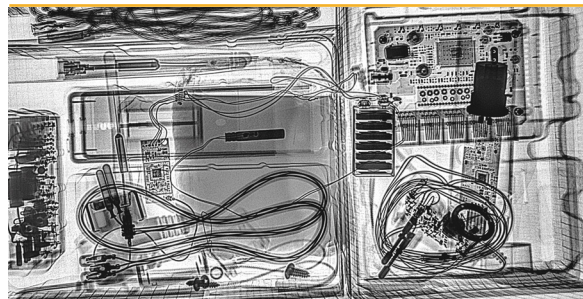


Portable X-Ray systems are the perfect solution for inspecting suspected items across borders and checkpoints. These systems are lightweight and rugged and can be easily transferred and quickly deployed.

What is inspected?

Contraband, Weapons, Drugs, IED & Explosives
Detection etc.

Customs



In customs, check point officials must perform a quick, non-intrusive and non-destructive inspection of suspected vehicles and packages with whom they come across on a daily basis.

What is inspected?

Contraband, Ammunition, Weapons, Drugs, Jewelry,
Alcohol etc.

Systems

NOVO offers a wide variety of Systems suitable for various Security applications. These are our most popular Systems.

Shadow

Super Light Tactical System

- 12SF Detector- only 2.2 lbs. (1 Kg)
- Working system- only 8.8 lbs. (4Kg)
- Mini Wireless Spark III RF Controller
- Android mobile phone
- Small day pack



Rover II

Top of the Line System

- 22WS Detector
- Falcon II Controller- up to 500m LOS wireless Comm
- 21.5" super bright 1500 NIT Touch tablet
- 50m Cable on removable mount reel
- Compact Pelican light case



Ultimate II

Large Format Backpack

- NOVO 22WS Detector
- Falcon II Controller - up to 500m LOS wireless Comm
- Panasonic 10" G1 Tablet / Android mobile phone
- 50m of Cable on a reel



Tactical II

Compact Backpack System

- 15WS Detector
- Falcon II Controller - up to 500m LOS wireless Comm
- Panasonic 10" G1 Tablet / Android mobile phone
- 50m of Cable on a reel



Urban

Lightweight Backpack System

- 15WS Detector
- Mini Wireless Spark III RF Controller
- Panasonic 10" G1 Tablet / Android mobile phone
- Compact backpack



NOVO Touch Software

For detailed information, please review the NOVO Touch Software brochure



The NOVO Touch Software is a proprietary software developed to provide the best user experience and functionality in harsh & extreme field conditions.



The Genie Enhancement Feature - Proprietary State-of-the-art Algorithm

Allows for taking a single image and enhancing both easy to penetrate and difficult to penetrate objects on the same image, while showing all elements and highlighting all the threats with just one touch.



3D Measurement & Imaging

The 3D Arc provides precise location and exact measurements (1-2mm accuracy) for IED disruption and manual entry. Extremely fast and easy to use tool building 3D images in seconds, giving unprecedented information.



Stitching Feature

Rapidly stitch multiple images together in seconds either by using Automatic Stitching feature or easy to use Manual Stitching with advanced tools, such as HDR etc.



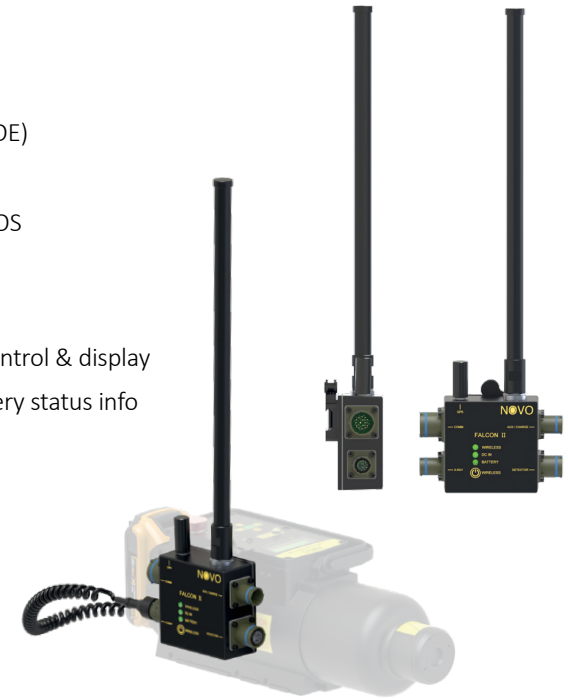
HDR Feature

Allows for taking a high exposure image to penetrate difficult areas, combined with a low exposure image showing delicate items and producing a hybrid High Dynamic Range X-Ray image.

Controllers

Falcon II

- Weight: 2lbs (900 grams)
- Unlimited operation with AC (POE)
- 6+ hours built-in battery
- Wired/ Wireless - up to 500m LOS
- MIL-DTL 38999 connectors
- GPS
- Supports parallel multi tablet control & display
- Supports Golden On/Off & battery status info



Wireless Spark III

- Weight: 0.7 lbs. (0.3 kg)
- 6 hours built-in Battery
- Wireless - up to 400m LOS
- MIL-DTL 38999 connectors
- Supports Golden On/Off & battery status info

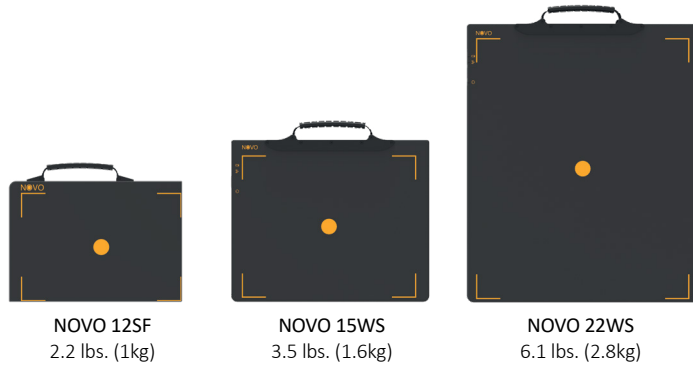


Detectors

For detailed information, please review the systems brochures

The NOVO range of Detectors provide outstanding image quality in a rugged, durable, thin design and are the latest in DR imaging technology.

- Lightest in the market
- Dual direction magnetic connector
- Wireless & wired operation
- Specifically designed for fieldwork & harsh weather conditions
- Quick removable & rechargeable battery



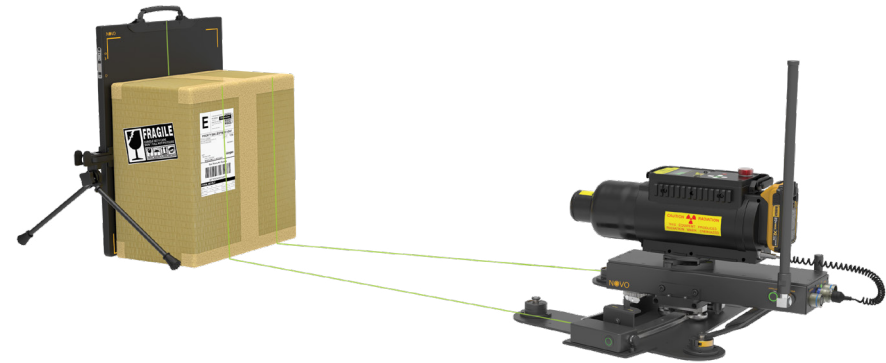
Detector Model	NOVO 12SF	NOVO 15WS	NOVO 22WS
Steel Penetration *	3.5" (90mm)	3.5" (90mm)	3.5" (90mm)
Detector Weight	2.2 lbs. (1kg)	3.5 lbs. (1.6kg)	6.1 lbs. (2.8kg)
Detector Load Proof	440 lbs (200kg)	660 lbs. (300kg)	660 lbs. (300kg)
Detector Imaging Area	6.75" x 10.1" (17.2cm x 25.8cm)	9.1" x 11.2" (23.1cm x 28.4cm)	13.9" x 16.7" (35.5cm x 42.6cm)
Detector Size	7.7" x 11.1" (19.5cm x 28.2cm)	10.6" x 12.9" (26.9cm x 32.9cm)	15.2" x 18.3" (38.5cm x 46.5cm)
Active Area (Imaging Area / Detector Size)	80% Active Area	74% Active Area	85% Active Area
Detector Drop Test	40" (100cm)	40" (100cm)	40" (100cm)
Detector Thickness	0.6" (15mm)	0.6" (15.6mm)	0.6" (15.6mm)
Bit Depth	16 bit latest generation	16 bit latest generation	16 bit latest generation
Connector	Magnetic Dual Direction Connector	Magnetic Dual Direction Connector	Magnetic Dual Direction Connector

* Tested with Golden XRS-3 at ~10" (25cm)

3D Arc

For detailed information, please review the 3D Arc brochure

The 3D Arc provides precise location & exact measurements for IED disruption & manual entry. Extremely easy to use touch interface, provides accurate X, Y, Z measurements and 3D imaging in seconds.

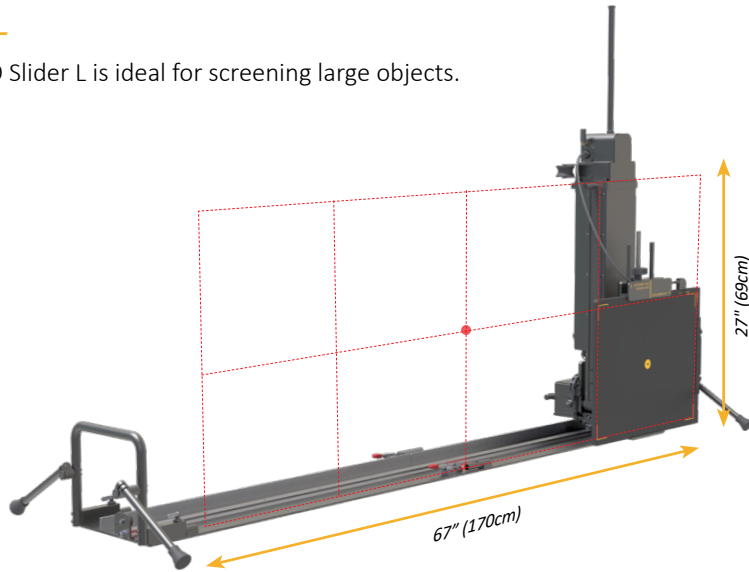


NOVO Slider L/XXL

For detailed information, please review the Sliders brochure

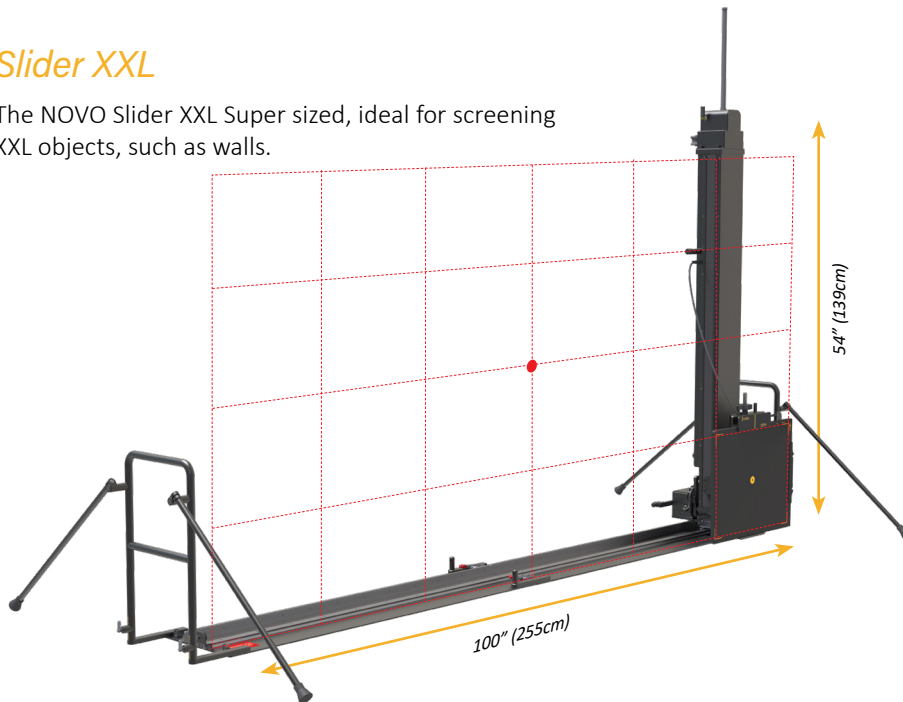
Slider L

The NOVO Slider L is ideal for screening large objects.



Slider XXL

The NOVO Slider XXL Super sized, ideal for screening XXL objects, such as walls.



Tablets

For detailed information, please review the Bright Tablets / systems brochures

NOVO offers a variety of tablets that can be operated from our customized case or used handheld.

- Pre-installed with the NOVO Touch Software
- Used to control the system's operation
- One or multiple parallel location control & display
- Ruggedized Tablets- MIL-STD-810G
- Rugged 7" up to a 21.5" Full HD display
- A variety of Laptops Available
- Windows® 10 & Android OS



NOVO Bright L 17"



NOVO Bright XL 21.5"



Samsung S21



Panasonic Toughpad™ FZ-G1- 10"



Panasonic Toughbook® CF-33- 12"

Wireless Extenders

For detailed information, please review the *Wireless Extenders brochure*

Eagle

The NOVO Eagle is an extremely long range wireless transceiver, which extends the wireless communication between the tablet and the inspection area (Detector and X-Ray source) up to 3.3km (2 miles) LOS.



Ranger

The NOVO Wireless Ranger is a wireless transceiver, which extends the wireless communication range between the tablet and the inspection area.



Super Ranger

The NOVO Wireless Super Ranger is a special booster that increases wireless distance and stability of our standard Ranger device, allowing for operation in extreme condition.



Robot Accessories

For detailed information, please review the *Robot Accessories brochure*

NOVO offers various Robot detector holders for the 12SF, the 15WS and the 22WS Detectors.

- Lightweight, shock absorbent, customized robot NOVO Detector Frame
- The NOVO Detectors can be used in both portrait and landscape orientation when using the robot accessories

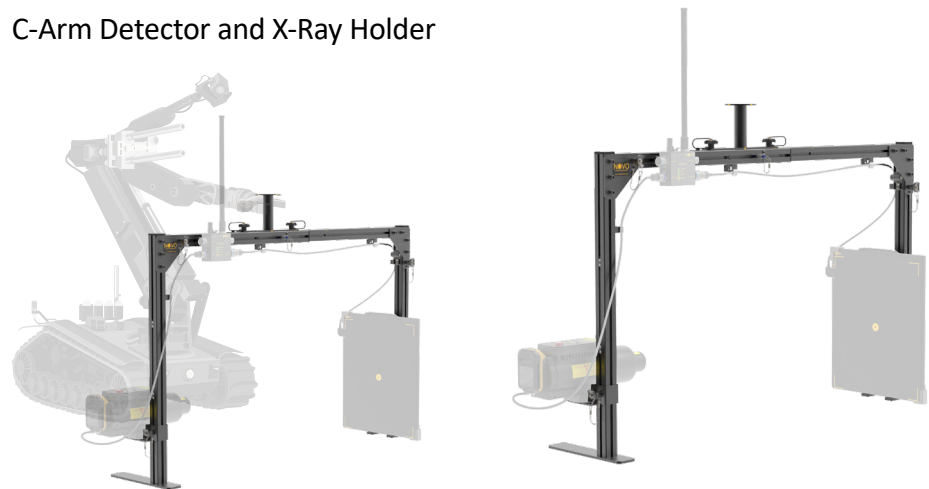
Robot Integration:

The NOVO Equipment can be integrated with many EOD robots platforms

NOVO Detector Frame



C-Arm Detector and X-Ray Holder



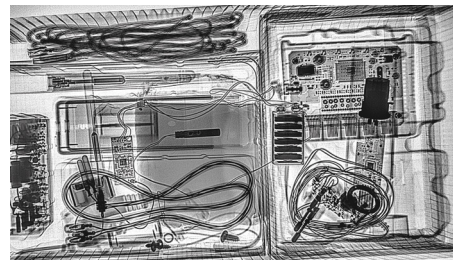
Accessories

For detailed information, please review the Accessories brochure

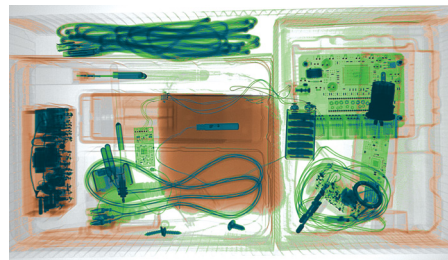
Lookout

The NOVO Lookout is a Lightweight, 3 in 1 accessory enabling the following capabilities: Organic Detection, Live Video & Live Audio.

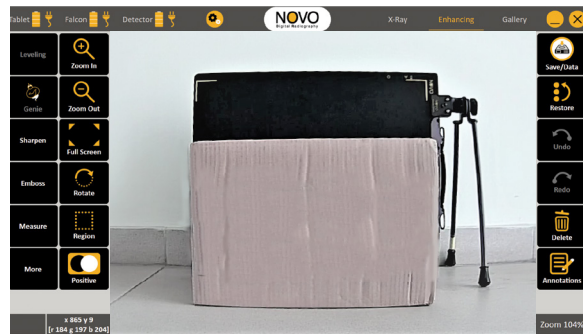
- LED lights
- Infrared light.



X-Ray Image



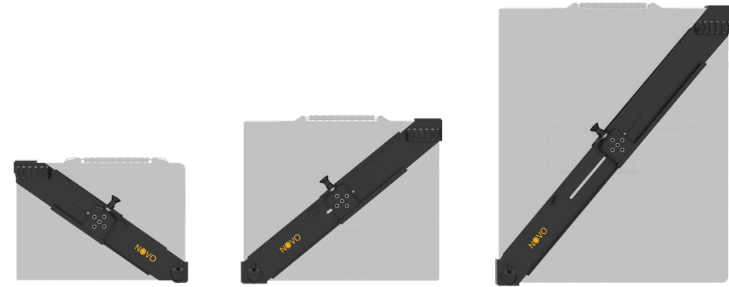
Organic & Inorganic Detection Image



External Still Image

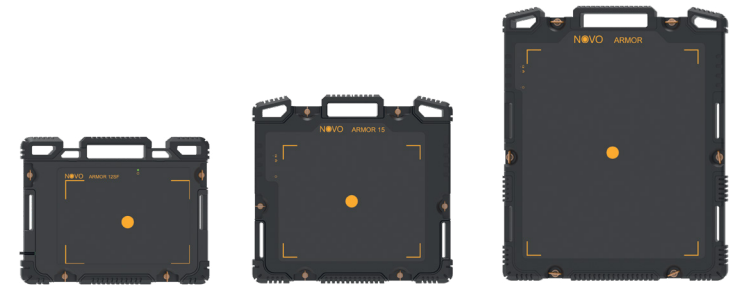
Tripod Mounts

The Tripod Mount is a lightweight accessory that firmly holds the Detector and provides various positioning options.



Armor Kit

The Armor Kit Contains the NOVO Armor, which provides additional mechanical protection to the NOVO Detectors, Armor Stand and a traveling soft cover.



Soft Protective Cover

The Detector Soft Protective Cover provides additional lightweight protection for NOVO Detectors.



Extension Cables

The communication cable provides reliable and fast data transmission between the various system parts.



Detector Stand

The Detector Stand is a custom-made accessory that firmly holds the Detector in an upright position (portrait or landscape).



Cases

NOVO offers a wide array of customized cases for a range of applications.

- Customized internal & external design
- Rugged
- Smallest foot print
- Lightweight



X-Ray Sources

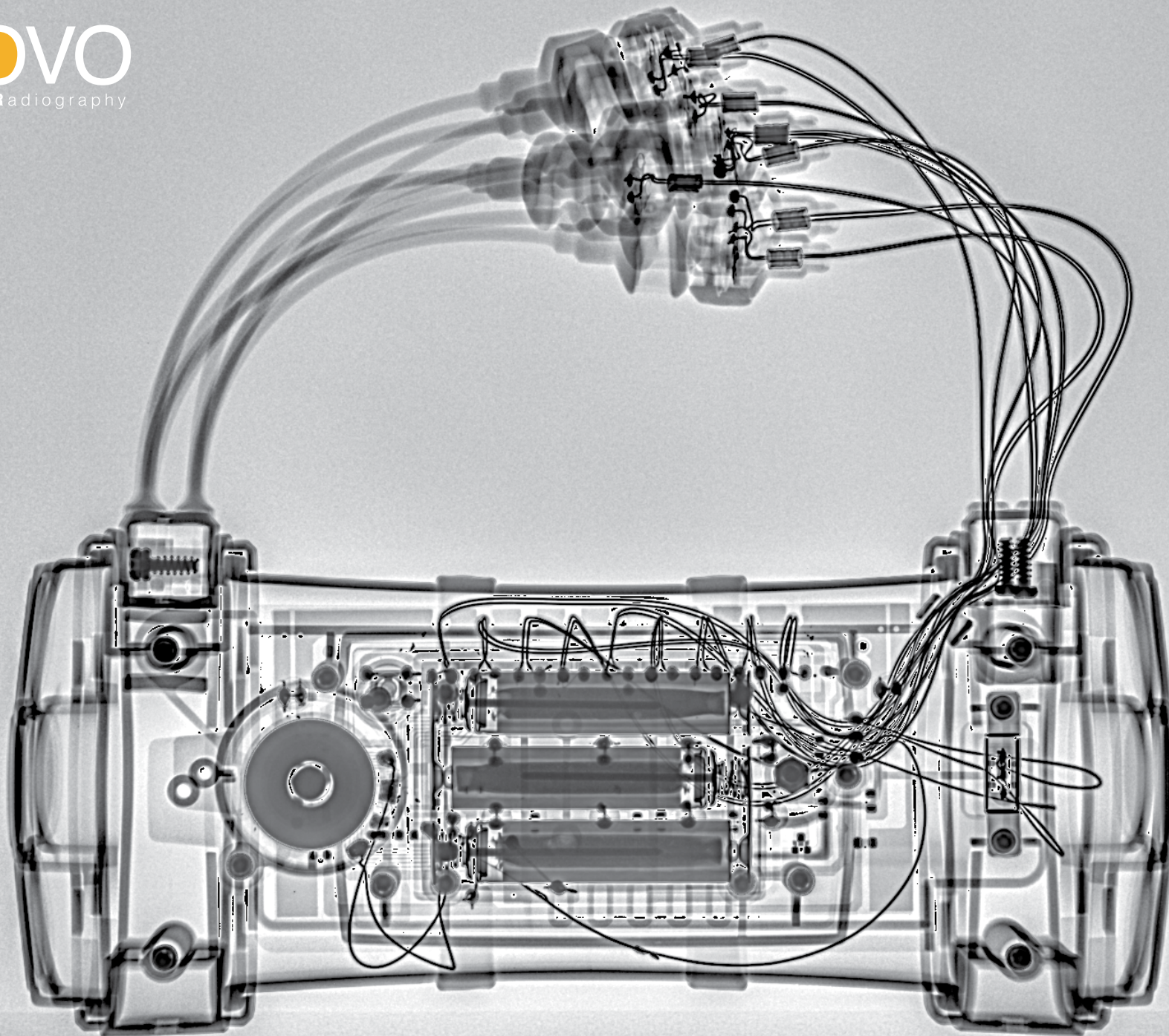
For detailed information, please review the systems brochures

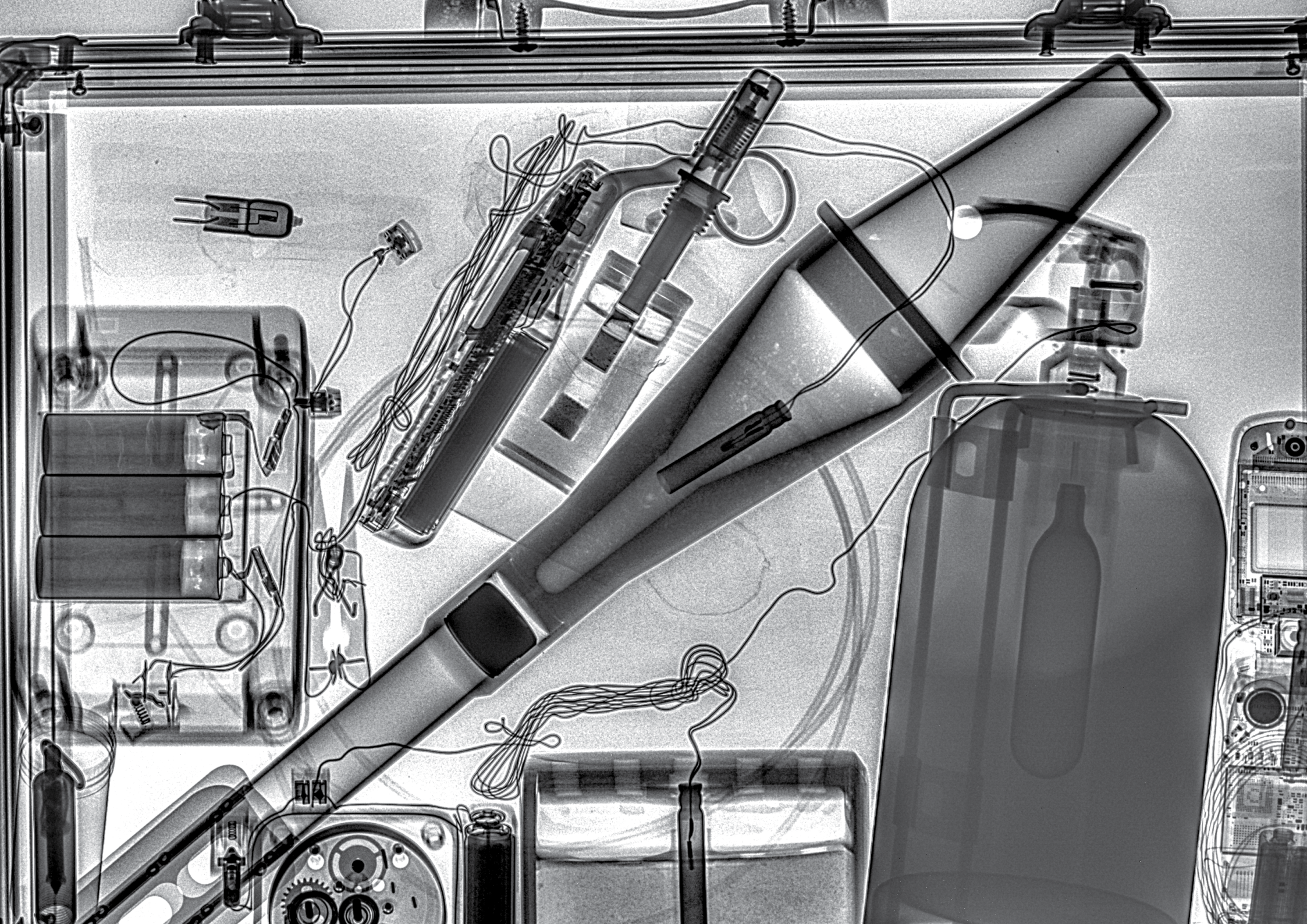
The NOVO systems are designed to operate with the entire range of Golden Engineering X-Ray sources (both old and new generations) and other X-Ray sources.

- Specially designed connector/picatiny connects the Golden Source to the NOVO system controllers
- Operational safety distance is easily obtained with wired or wireless capabilities
- The Golden X-Ray sources are portable, battery operated, lightweight & contain no radioactive materials
- Software supports Golden On/Off & battery status info
- Support operation with other X-Ray sources (CP, IR-192 etc.)



NOVO
Digital Radiography







www.NOVO-DR.com | info@novo-dr.com

**Technical specifications may change at the discretion of the manufacturer*