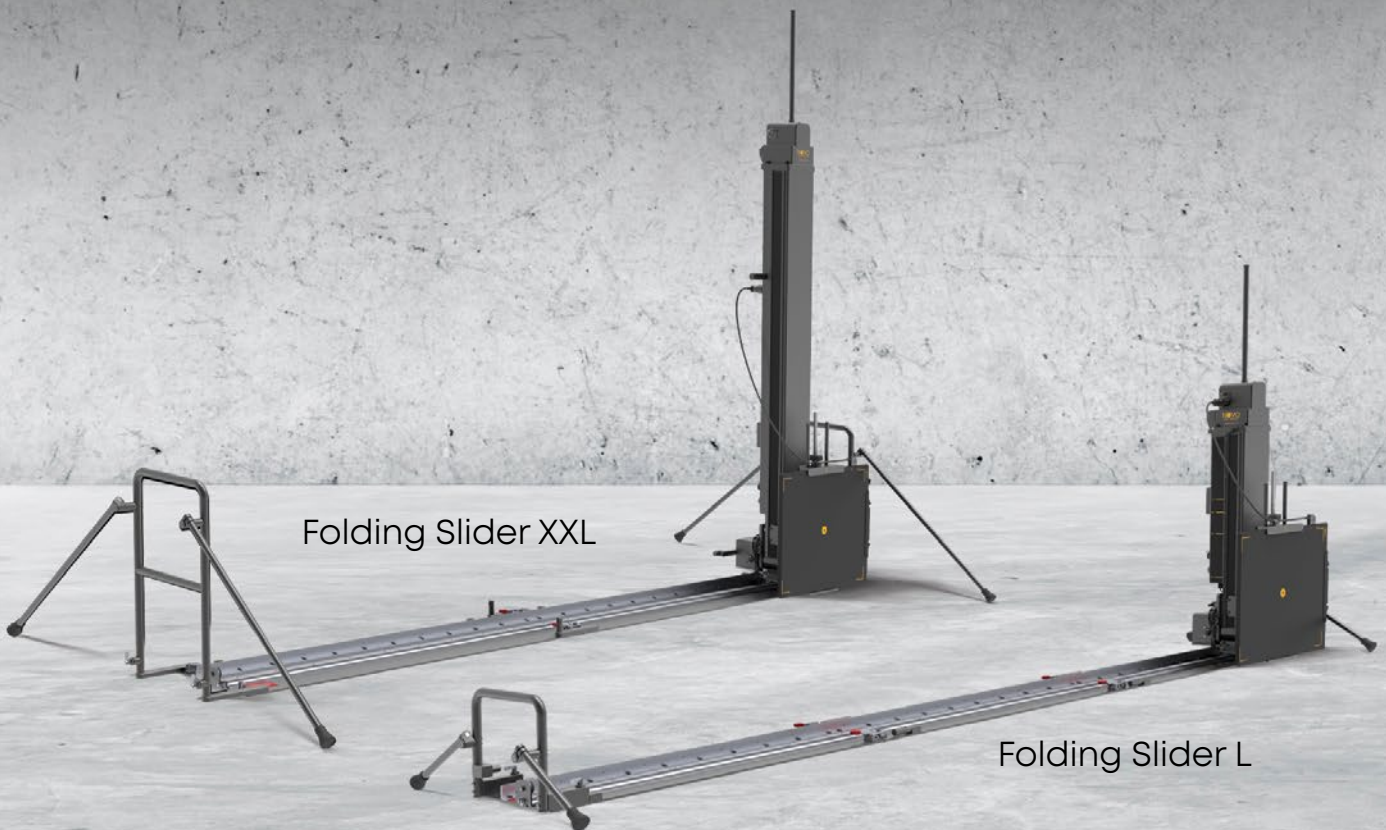


The Leaders in Portable X-Ray Systems

## Folding Sliders



**NOVO Mesh Technology -  
Unmatched Wireless Performance**



Folding Slider XXL

Folding Slider L

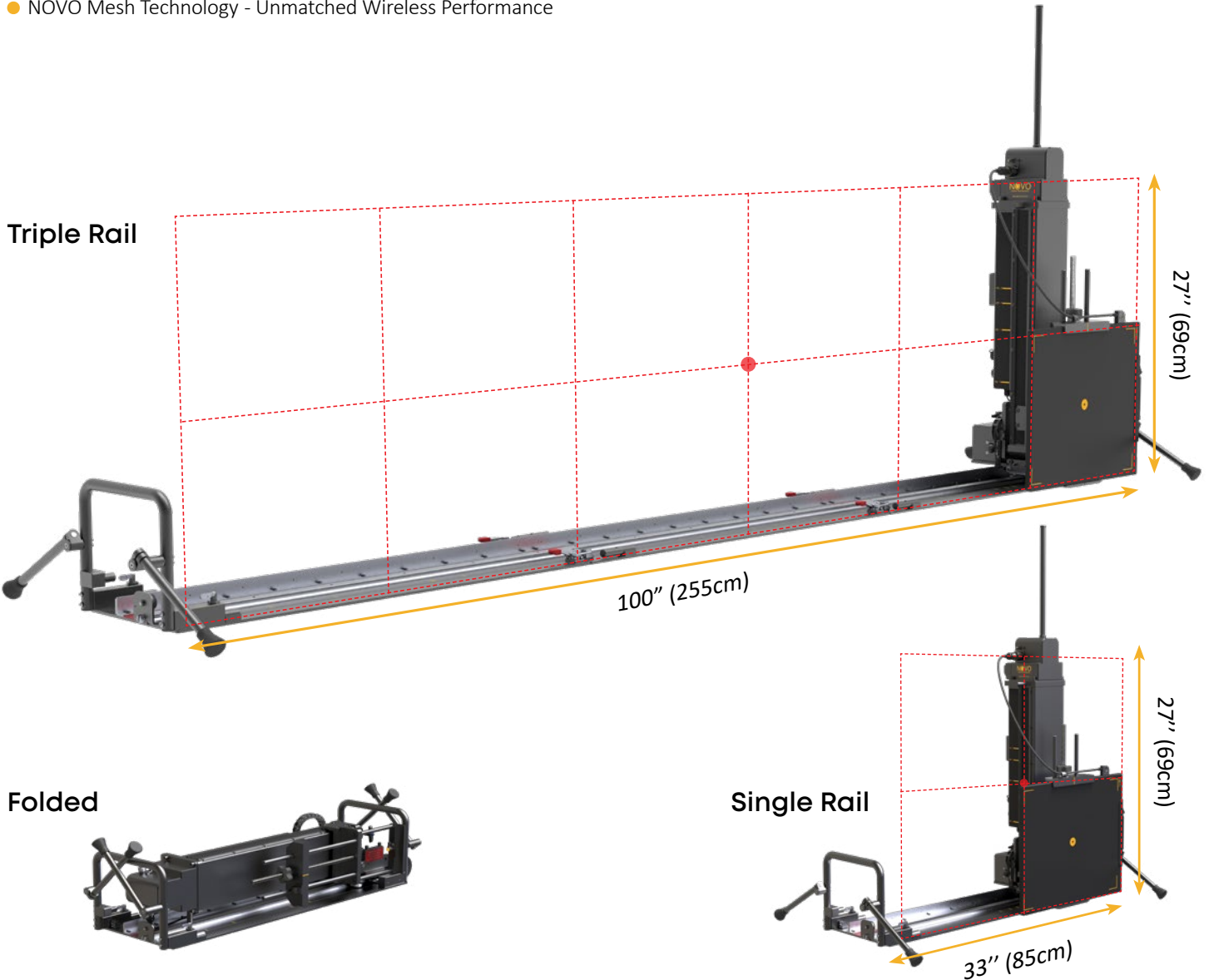


**Improved Genie Algorithm -  
enhancing the entire imaging area faster than ever before!**

# Folding Slider L

## The Ideal Solution for Screening Large Objects

- Imaging Area up to 100" x 27" (255cm x 69cm)
- Built in Controller and Battery
- Wired and Wireless Operation
- Controlled by the NOVO Touch Software
- Completely Automated Movement
- Automatically Generates Outstanding High-Quality Mosaic Image
- NOVO Mesh Technology - Unmatched Wireless Performance
- One/Two/Three Rails can be Used for Versatile Operation
- Optional Wireless X-Ray module - Wireless communication between Folding Slider and X-Ray
- Additional External Battery for Longer Operation
- Includes a Detector Filter Holder
- Optional Operation with MPU5 Wireless Module



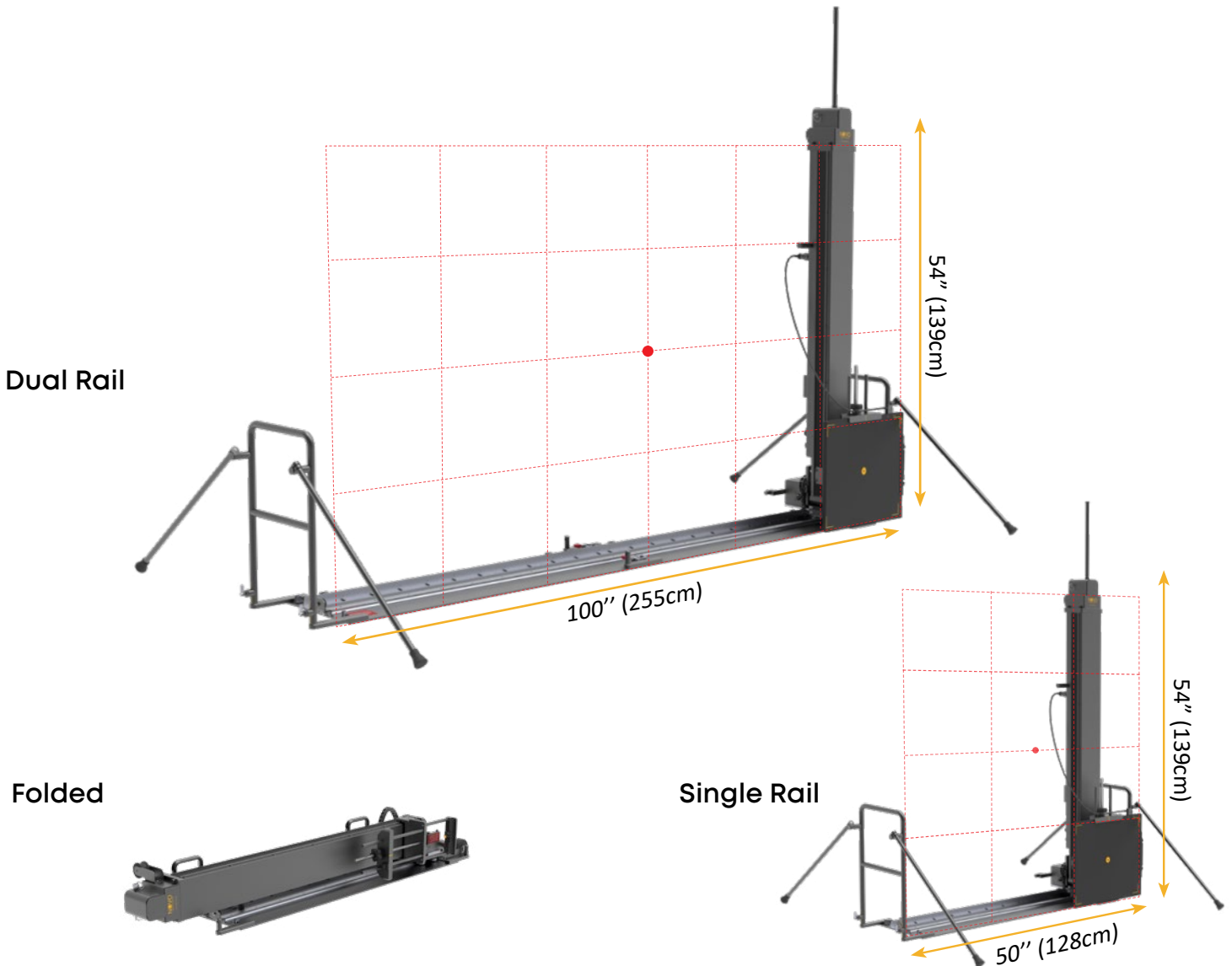
	Using NOVO 15W Detector (Landscape)	Using NOVO 22W Detector (Portrait)	Using NOVO 22W Detector (Landscape)
Number of Images*	9 x 3 images	7 x 2 images	6 x 2 images
Overall Imaging Area *	100" x 27" (255cm x 69cm)	95" x 33" (243cm x 85cm)	100" x 27" (255cm x 69cm)
Dimensions When Opened *	111" x 32" x 11" (282cm x 82cm x 30cm)	111" x 32" x 11" (282cm x 82cm x 30cm)	111" x 32" x 11" (282cm x 82cm x 30cm)
Dimensions When Folded	41" x 9" x 11" (104cm x 23cm x 30cm)	41" x 9" x 11" (104cm x 23cm x 30cm)	41" x 9" x 11" (104cm x 23cm x 30cm)

\*Triple Rail Mode

# Folding Slider XXL

## The Ideal Solution for Screening XXL Objects

- Super Sized, Imaging Area up to 100" x 54" (255cm x 139cm)
- Built in Controller and Battery
- Wired and Wireless Operation
- Controlled by the NOVO Touch Software
- Completely Automated Movement
- Automatically Generates Outstanding High-Quality Mosaic Image
- NOVO Mesh Technology - Unmatched Wireless Performance
- One or Two Rails can be Used for Versatile Operation
- Optional Wireless X-Ray module - Wireless communication between Folding Slider and X-Ray



	Using NOVO 15W Detector (Landscape)	Using NOVO 22W Detector (Portrait)	Using NOVO 22W Detector (Landscape)
Number of Images*	8 x 5 images	7 x 3 images	6 x 4 images
Overall Imaging Area *	89" x 45" (227cm x 115cm)	92" x 50" (243cm x 127cm)	100" x 54" (255cm x 139cm)
Dimensions When Opened *	104" x 57" x 13" (266cm x 145cm x 33cm)	104" x 57" x 13" (266cm x 145cm x 33cm)	104" x 57" x 13" (266cm x 145cm x 33cm)
Dimensions When Folded	64" x 9" x 13" (164cm x 23cm x 33cm)	64" x 9" x 13" (164cm x 23cm x 33cm)	64" x 9" x 13" (164cm x 23cm x 33cm)

\*Dual Rail Mode

# Additional Setup Options

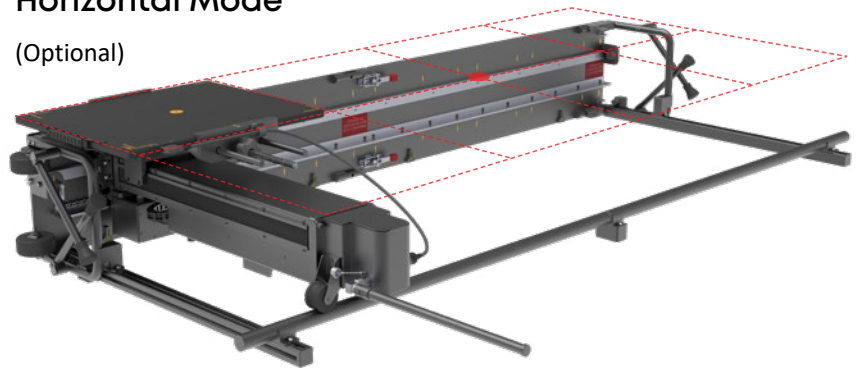
## Folding Slider L - Lifted Mode

Maximum Height - 57" (145cm)!



## Folding Slider L - Horizontal Mode

(Optional)



## Folding Slider XXL - Horizontal Mode

(Optional)

